



Outboard Hydraulic Cylinders

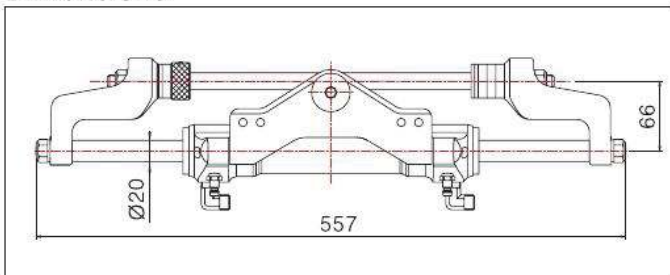
OF-350S Cylinder & OBHF-350S

OF-350S (Application : up to 350 HP)



32

Dimensions



Specification

| | |
|---------------|------------------------|
| Model | OF-350S |
| Volume | 132 cc |
| Tube I.D | Ø35 |
| Rod O.D | Ø20 |
| Output Force | 453 kgf |
| Stroke | 203 mm |
| Max. Pressure | 70 kgf/cm ² |

OBHF-350S

Outboard Cylinder : OF-350S

Option (Wheel)

SW-260

SW-300

Helm Pump
(SOH-18, 25, 35)

Flexible Hose
5/16"×14m

Hose Coupling
5/16"

Oil : SO-02
(#15, 1l×2EA)

System Description

| | | | | | | | | | | | |
|--|-------------------------|--------------------|--|--------------------|-----------------------------|--|---|-------------------------|--------------------|--|--|
| <p>SINGLE</p> <table border="1" style="width: 100%; margin-top: 10px;"> <tr> <td style="width: 30%;">Helm Pump & Wheel Turns</td> <td>18cc/rev 7.3 Turns</td> </tr> <tr> <td></td> <td>25cc/rev 5.3 Turns</td> </tr> <tr> <td colspan="2">Application up to 350hp max</td> </tr> </table> | Helm Pump & Wheel Turns | 18cc/rev 7.3 Turns | | 25cc/rev 5.3 Turns | Application up to 350hp max | | <p>DUAL ENGINE</p> <table border="1" style="width: 100%; margin-top: 10px;"> <tr> <td style="width: 30%;">Helm Pump & Wheel Turns</td> <td>35cc/rev 7.5 Turns</td> </tr> <tr> <td colspan="2">Application up to 350hp × 2 Engine max</td> </tr> </table> | Helm Pump & Wheel Turns | 35cc/rev 7.5 Turns | Application up to 350hp × 2 Engine max | |
| Helm Pump & Wheel Turns | 18cc/rev 7.3 Turns | | | | | | | | | | |
| | 25cc/rev 5.3 Turns | | | | | | | | | | |
| Application up to 350hp max | | | | | | | | | | | |
| Helm Pump & Wheel Turns | 35cc/rev 7.5 Turns | | | | | | | | | | |
| Application up to 350hp × 2 Engine max | | | | | | | | | | | |



Accessories

Tie Bar

특징

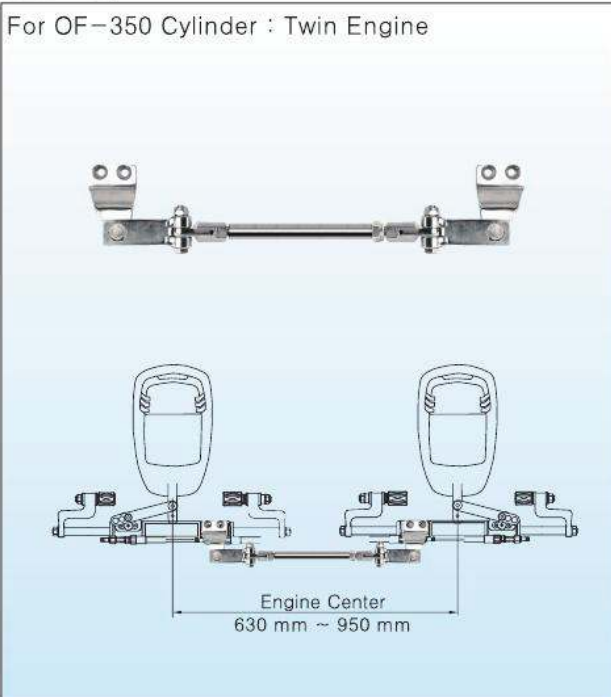
- 모든 부품이 스테인레스 재질로 제작되어 해수에 강하다.
- 트윈 엔진 및 트리플 엔진에 맞게 타이바를 선정하여 적용 할 수 있다.

Feature

- Since all the parts are made with stainless steel, they are anti-corrosive from the sea water.
- The tie bar can be selected accordance to twin or triple engine.

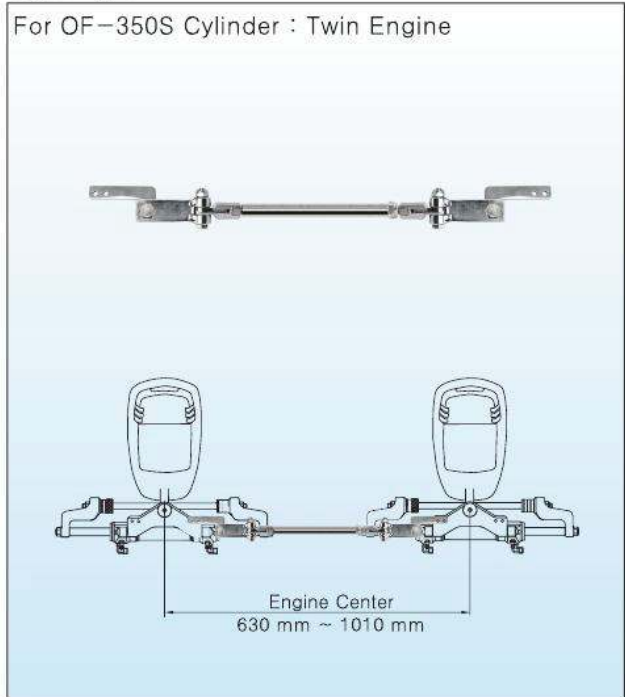
OTB-01

For OF-350 Cylinder : Twin Engine



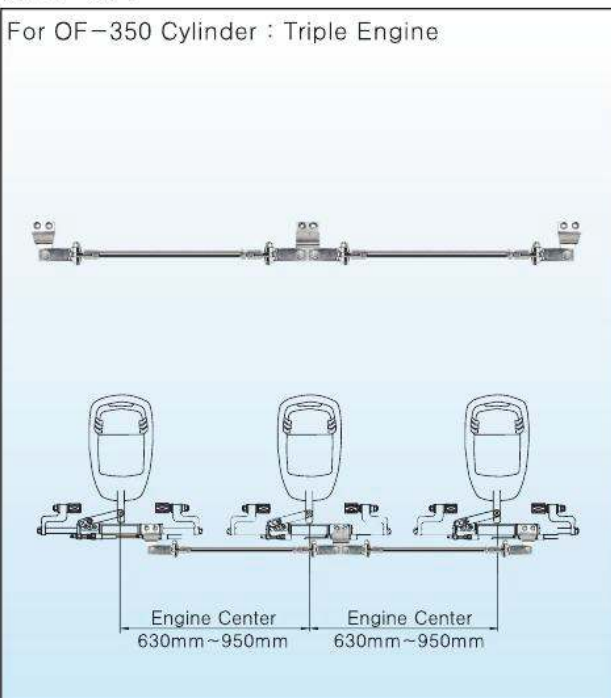
OTB-02

For OF-350S Cylinder : Twin Engine



OTB-01T

For OF-350 Cylinder : Triple Engine



OTB-02T (OTB-02 × 2 SET)

For OF-350S Cylinder : Triple Engine

