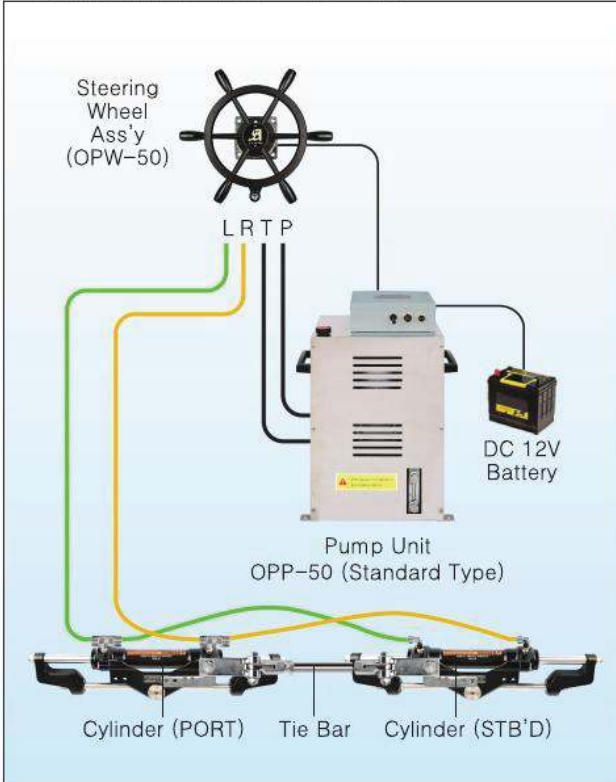




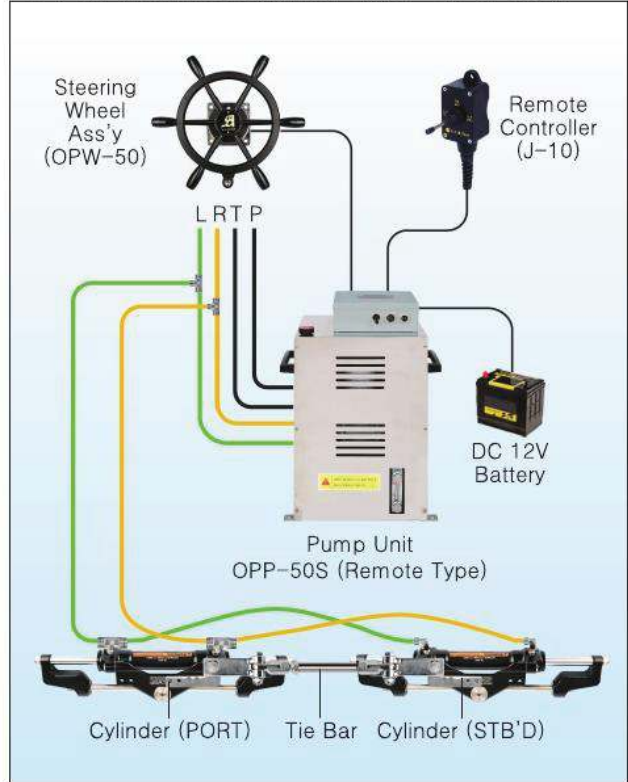
Outboard Power Steering System Diagram

Outboard Power Steering System Diagram

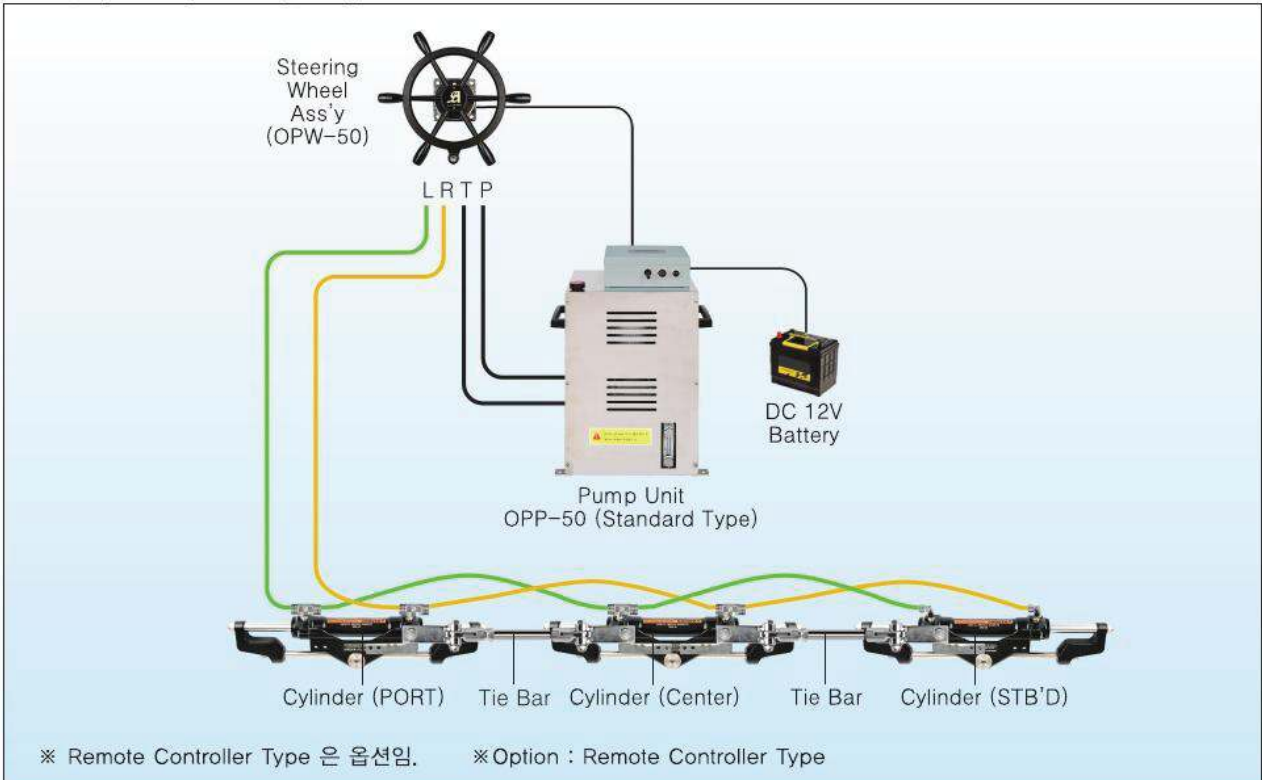
표준형 (Standard Type : OPS-50)



리모콘형 (Remote Controller Type : OPS-50S)



표준형 (For Triple Engines)





Outboard Joystick Power Steering

HRP-75H

특징

- 헬 하우스의 Helm Pump와 병렬로 사용 가능
- 리모콘 조작으로 장소에 구애를 받지 않고 운전 가능
- 자유로운 토출유량 조절로 실린더 속도조절 가능
- 콤팩트하게 일체화 된 타입으로 간단한 설치

Features

- Can be arranged parallel with helm pump from the wheel house.
- Allows convenient steering with remote control regardless of place limitation.
- With freely adjustable oil-input, cylinder speed can be easily controlled.
- With its compact and integrated design, installation can be easily done.

43

HRP-75H (Power Pack)

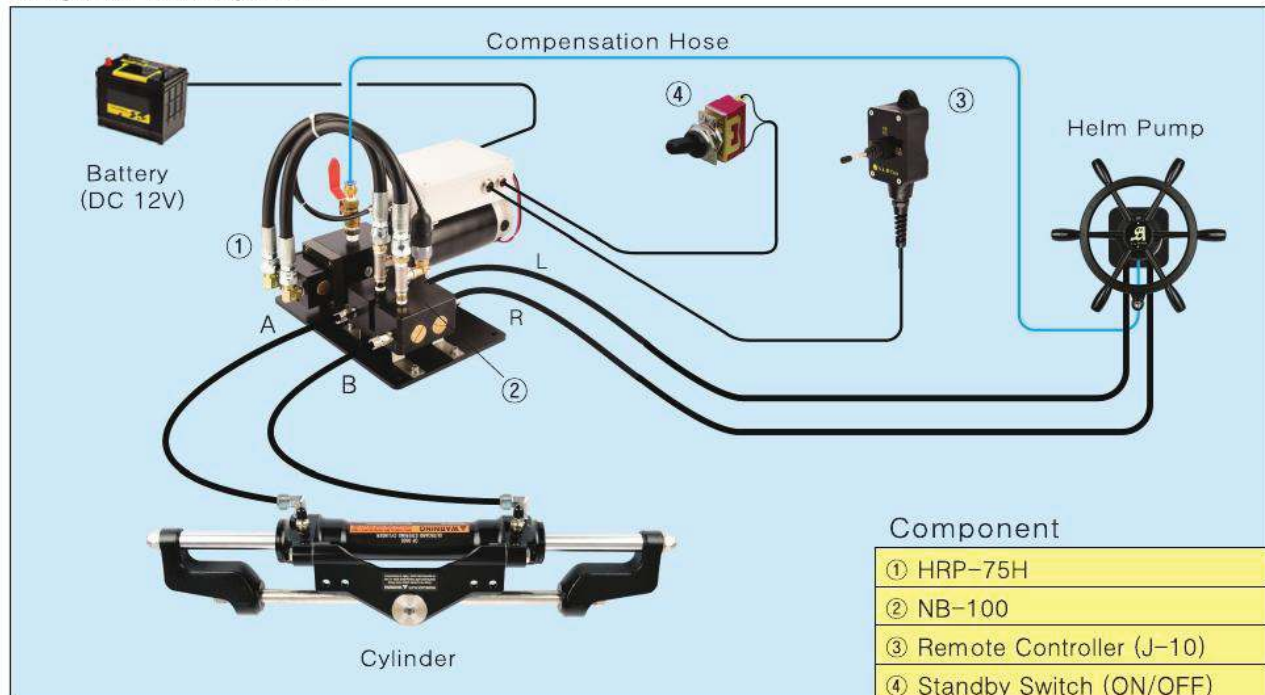


Specifications

Model	HRP-75H
Power Source	Battery DC 12V
Max. Current	23.8A
Motor	DC 12V, 200W, 1800 rpm
Pump Capacity	Max 3.2 l/min
Setting Pressure	35 kg/cm ²
Motor Plunger Pump	HRP-75
Non-Return Valve	NB-100
Motor Controller Unit	MT-V40
Remote Controller	J-10
Application	Use it as parallel connection with Helm pump

※ DC 24V 용은 별도 주문 생산 가능함. ※ DC 24V can be supplied upon request.

Diagram (Full System)





Outboard Power Steering and Engine Remote System

OPS-50S & TCM-100S

OPS-50S & TCM-100S (Full System)

